

Q U I C K U P

Quick Up

7/8/9/11/12/13/14



- Working height 13,90 m (Quick Up 14)
- Stowed height 1,98 m (from Quick Up 8 to 12)
- Platform capacity 159 kg (from Quick Up 8 to 12)



Quick Up

7/8/9/11/12/13/14

The Haulotte® advantages

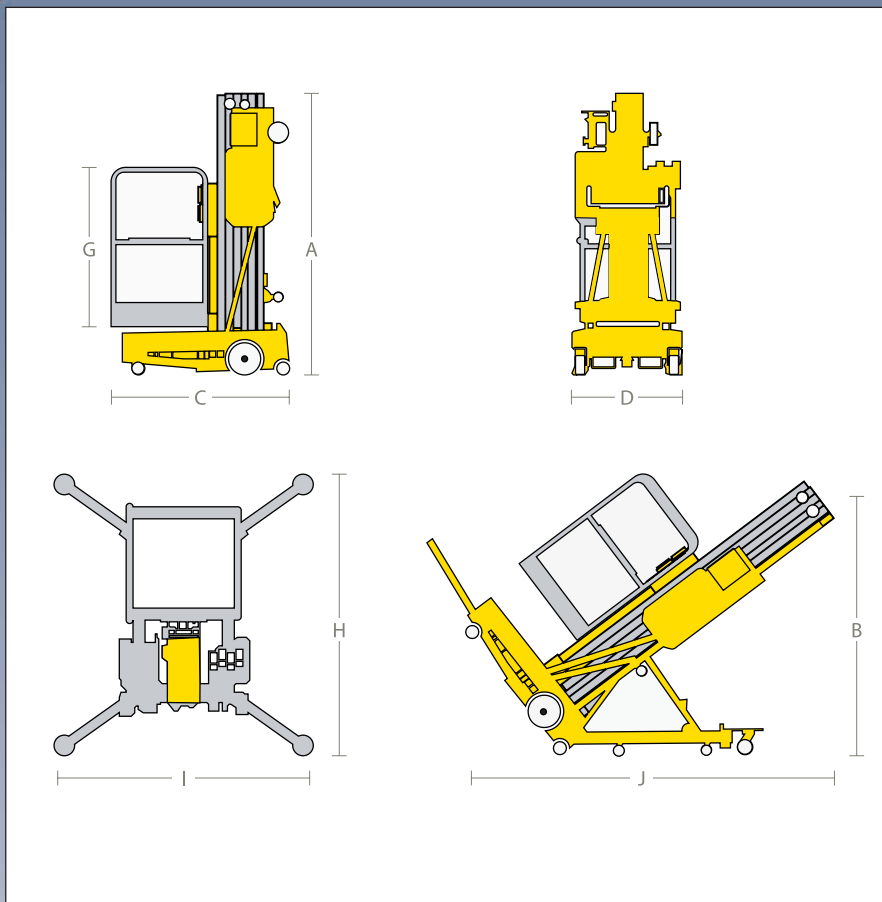
- Easy to install and set up.
- Easy "stand up" access through flip up top rail into basket.
- Only one man for loading and unloading.
- The Quick Up compact dimensions allows access through standard doorways.
- The Quick Up low weight allows works on fragile grounds.
- Cage and mast in aluminium.

STANDARD FEATURES

- Push button controls.
- 220V A/C power to platform.
- AC or DC power available.
- Emergency stop button.
- Outriggers indicator lights.
- Manual emergency valve.

OPTIONS

- Industrial type (no outriggers)
- Rough terrain type



SPECIFICATIONS

	QUICK UP 7	QUICK UP 8	QUICK UP 9	QUICK UP 11	QUICK UP 12	QUICK UP 13	QUICK UP 14	
Working height (m)	6,50	7,90	9,30	10,70	12	12,80	13,90	
Platform height (m)	4,50	5,90	7,30	8,70	10	10,80	11,90	
Platform capacity (kg)	159						136	
Platform size (m)	0,66 x 0,69							
C Stowed length (m)	1,18	1,24	1,35	1,34	1,46	1,40	1,45	
D Stowed width (m)	0,74					0,80		
A Stowed height (m)	1,98					2,76		
G Guardrails height (m)	1,14							
I x H Outriggers footprint (m)	1,40 x 1,70			1,60 x 1,90	1,85 x 2,15	1,81 x 2,10	2,20 x 2,31	
J x B Tilt bar	2,11 x 1,75					2,82 x 1,97		
DC version :	Energy			12V				
	Weight (kg)	326	347	400	430	480	510	535
AC version :	Energy			110 / 220 V				
	Weight (kg)	285	330	330	356	380	470	495



HAULOTTE UK LTD • Stafford Park 6 - Telford - Shropshire TF3 3AT - UK • Tel : +44 (0)1952 292753 • Fax : +44 (0)1952 292758 • e-mail: haulotte@haulotte.co.uk
 HAULOTTE SCANDINAVIA AB • Aröds Industriväg 66B - 44243 Hisingsbacka - SWEDEN • Tel : +46 (0) 31 744 32 90 • Fax : +46 (0) 31 744 32 99 • e-mail: hwallin@haulotte.se
 HAULOTTE AUSTRALIA PTY LTD • 65 Licola Cres - Dandenong - VIC - 3175 - AUSTRALIA • Tel : +61 (0)3 9706 6787 • Fax : +61 (0)3 9706 6797 • e-mail: sales@haulotte.com.au

