

## HA 260 PX



- Continuous outreach control
- +70 / -70° fly jib.
- 507 lb (230 kg) platform capacity.
- Standard 4 wheel drive and 4 wheel steer.
- 17 in (42 cm) ground clearance.
- 40% gradeability.



## The Haulotte® advantages

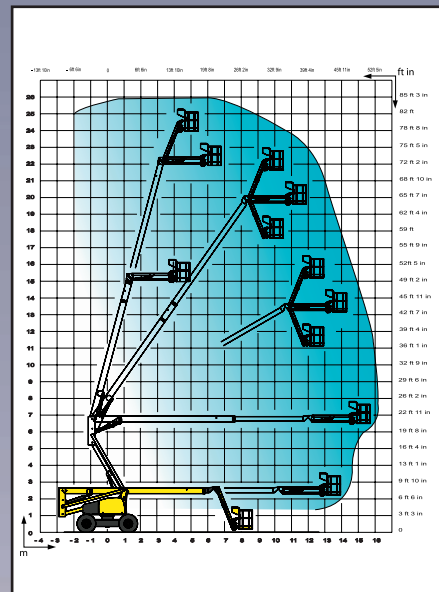
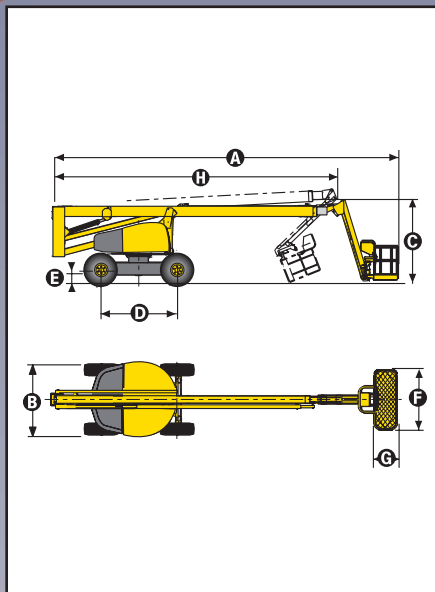
- Improved working area via a positive / negative articulating fly jib with 140° movement
- Hydraulic differential lock and 17 in (42 cm) ground clearance for improved rough terrain capability
- Continuous 360° turntable rotation
- Zero tailswing
- 180° hydraulic platform rotation
- Compact travel / transport dimensions
- Full proportional controls and simultaneous boom functions improve productivity
- 2.8 mph (4.5 km/h) travel speed
- Robust, reliable and easy to maintain design
- Improved security due to load limiter in the basket

## STANDARD FEATURES

- 4 wheel drive and 4 wheel steer
- Load limiter in platform
- 220 V / 16 A power line to platform
- 5° tilt alarm
- Deutz air cooled diesel engine
- 12 V proportional controls at platform
- Battery electric emergency lowering system
- Free wheeling device
- Hourmeter
- Slewing block pin
- Towing hooks / lifting eyes
- 2 hooks for safety harness in platform

## OPTIONS & ACCESSORIES

- Rotating beacon
- Flashing light
- Travel alarm
- Catalytic exhaust
- Hostile environment kit
- 2.44 X 0.8 m / 8 ft x 2 ft 7 in large platform
- Sand tyres / Road tyres
- On-board 3,3 kW generator
- Encoded starting device
- Working light
- Hot countries kit / Cold countries kit



## SPECIFICATIONS

Working height	25.6 m	84 ft 0 in
Platform height	23.6 m	77 ft 5 in
Horizontal outreach	16.2 m	53 ft 2 in
Up & over clearance	6.8 m	22 ft 4 in
Platform capacity	230 kg	507 lb
Fly jib range of motion	140° (+70°/-70°)	
A Stowed length	12 m	39 ft 4 in
B Width	2.38 m	7 ft 10 in
C Stowed height	2.67 m	8 ft 9 in
D Wheelbase	2.8 m	9 ft 2 in
E Ground clearance	42 cm	17 in
F x G Platform size	1.8 m x 0.8 m	71 in x 31 in
H Travel/transport length	9.50 m	31 ft 2 in
Tailswing	1.07 m	3 ft 6 in
Drive speed	0.45 - 4.5 km/h	0.28 - 2.8 mph
Outside turning radius	3.9 m	12 ft 10 in
Turntable rotation (continuous)	360°	
Hydraulic platform rotation	180°	
Gradeability	40%	
Engine	43,1 kW - 58,6 hp	
Tyres (foam filled)	15 R 22	
Hydraulic tank	150 l	40 gal
Fuel tank	150 l	40 gal
Weight	15.950 kg	35.170 lb

AS 1418.10



HAULOTTE UK LTD • TEL: +44 (0)1952 292753 • www.haulotte-international.com  
 HAULOTTE SCANDINAVIA AB • TEL: +46 31 744 32 90 • www.haulotte.se  
 HAULOTTE AUSTRALIA PTY LTD • TEL: +61 (0)3 9706 6787 • www.haulotte.com.au  
 HAULOTTE SINGAPORE PTE LTD. • TEL: +65 6546 6150 • www.haulotte.sg  
 HAULOTTE POLSKA SP. Z.O.O. • TEL: +48 22 885 65 17 • www.haulotte.com.pl

HAULOTTE TRADING (SHANGHAI) CO. LTD. • TEL: +86 21 6288 8228 • www.haulotte.cn  
 HAULOTTE NEW ZEALAND • TEL: +64 (0)9 277 6612 • www.haulotte.com.au  
 HAULOTTE MIDDLE EAST FZE • TEL: +971 (0)4 299 77 35 • www.haulotte-international.com  
 HAULOTTE VOSTOK, OOO • TEL: +7 495 730 0580, +7 962 924 69 80 • www.haulotte-international.com

**Haulotte**   
 GROUP